

6

5

4

3

2

1

**MATERIAL AND FINISH:**

Insulator: Impact resistance Polypropylene, black,  
UL-94V-HB rated

**Contact & terminals:**

PDSN-12-1B: Brass, Nickel plated

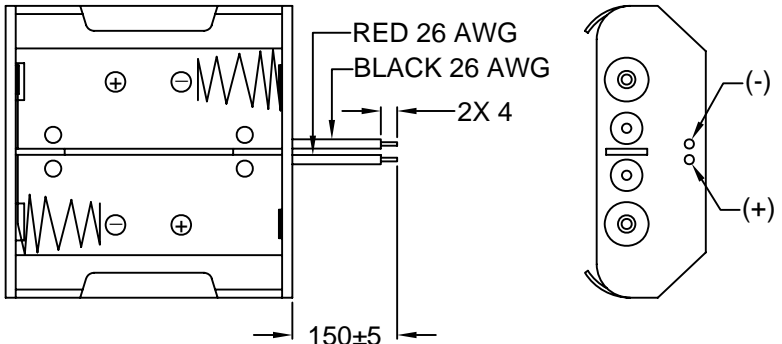
PDSN-12-1C: Brass, Nickel plated

Spring: Spring Steel, Nickel plated imbedded in  
Polypropylene

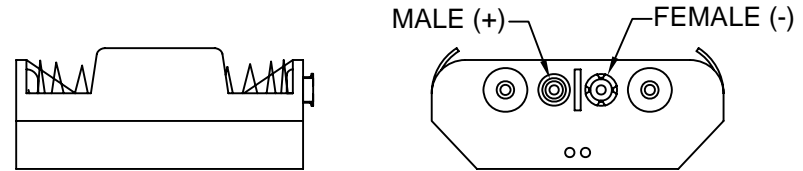
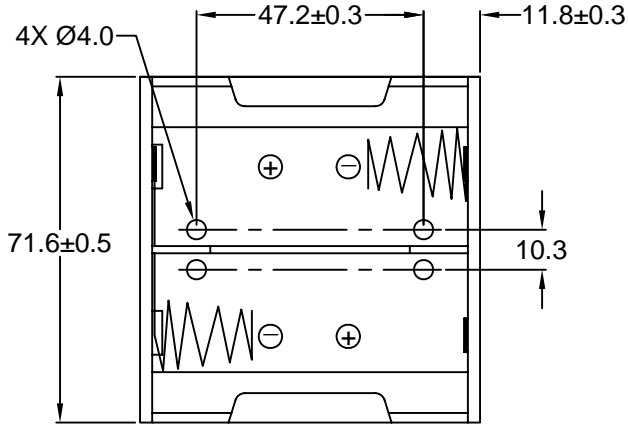
**ENVIRONMENTAL:**

Operating temperature: -5°C to +83°C

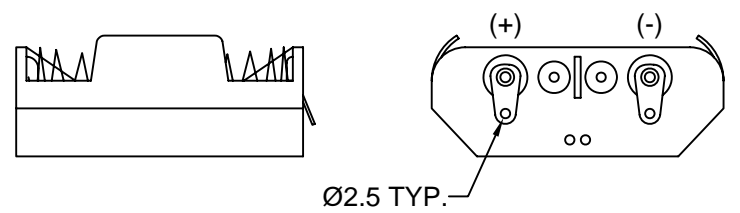
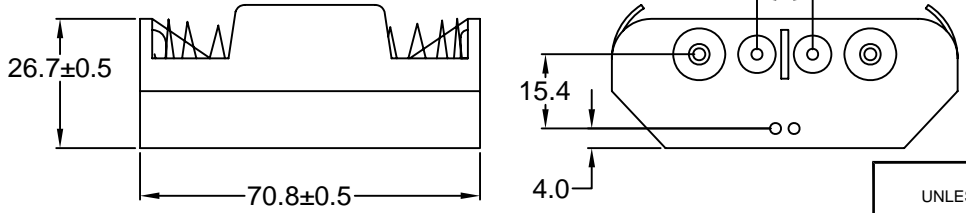
RoHS  
COMPLIANT



PDSN-12-1A WIRE LEADS



PDSN-12-1B SNAP TERMINAL



PDSN-12-1C SOLDER LUG

D

C

B

A

REVISIONS	CHNG	CHECK	APPR
	CHANGE	ADDED	DIMENSIONS
	DATE	03/19/02	
	REV	A	

TOLERANCE  
UNLESS OTHERWISE SPECIFIED

X ± 1  
X.X ± 0.4  
X.XX ± 0.20

DRAWN BY	GQ	DATE:	03/12/02
CHECK BY	TD	DATE:	03/14/02
APPR BY	PB	DATE:	03/14/02

**Power Dynamics, Inc.**  
Phone: 973 560-0019 Whippany, New Jersey Fax: 973 560-0076

PART: 2 CELL TYPE "D" BATTERY HOLDER

PART #:		PDSN-12-1X	SHEET
SIZE:	A	ALL DIMENSIONS FOR REFERENCE ONLY	1 of 1
SCALE:	NTS	DIMENSIONS ARE IN MILLIMETERS	REV: A